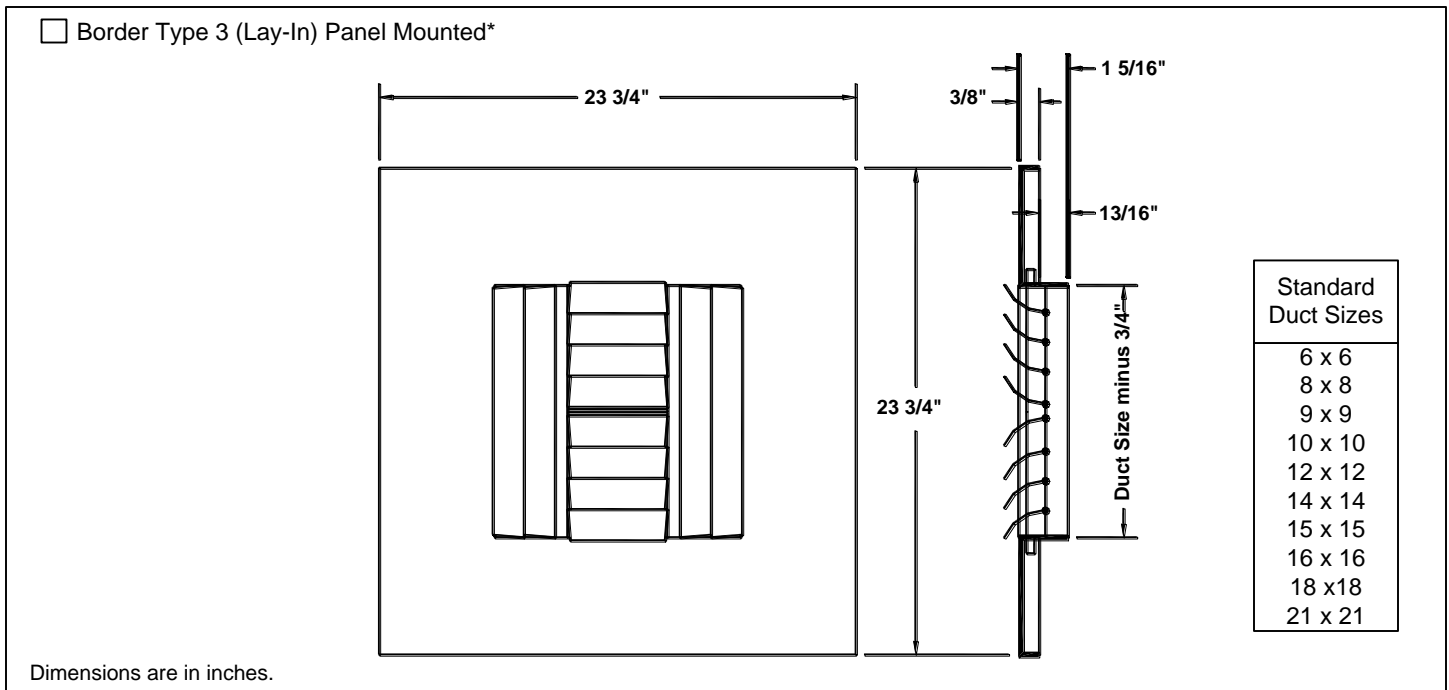
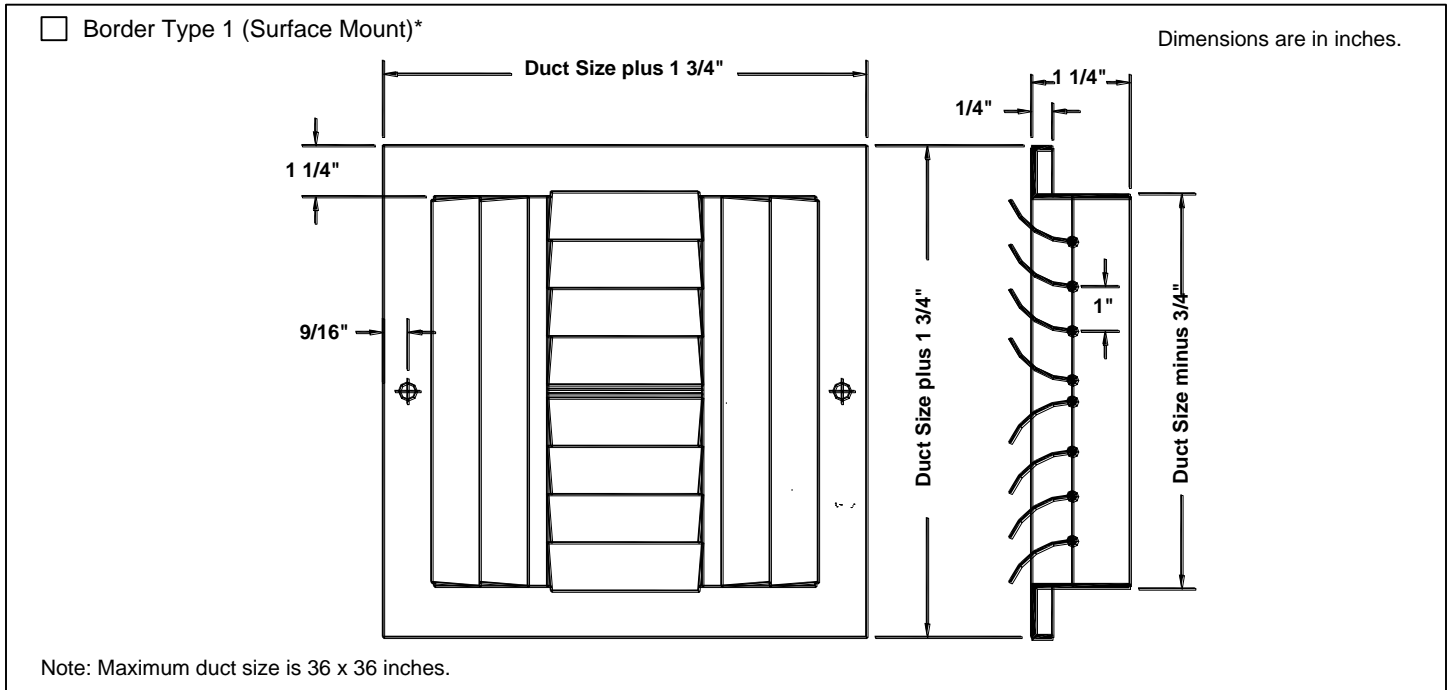


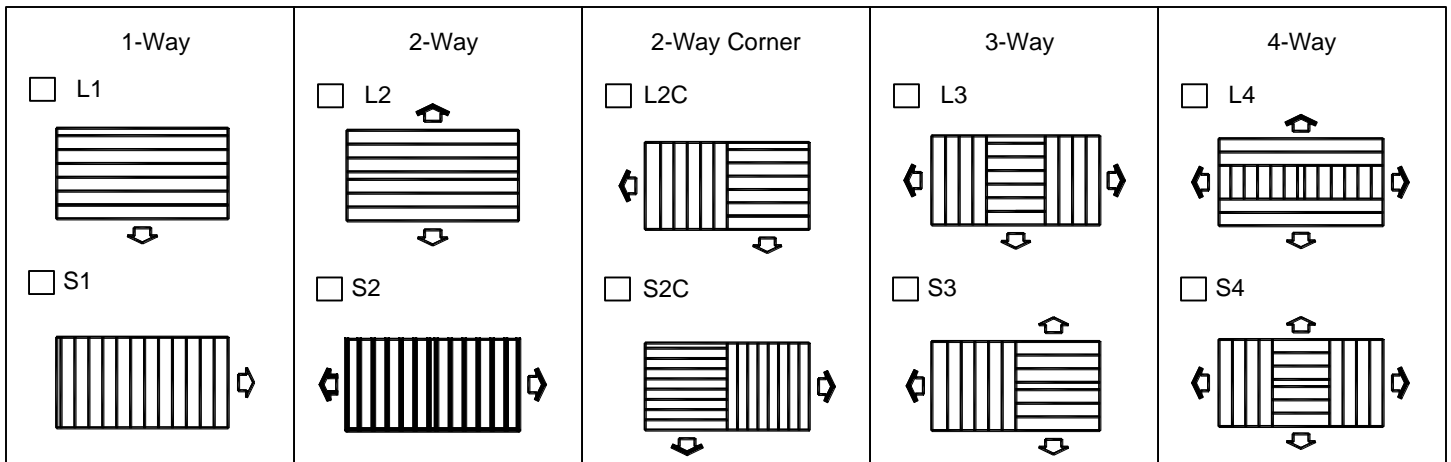
Rectangular Ceiling and Side Wall Diffusers Aluminum • Adjustable

Model: 250-AA • Multi-Use • 1, 2, 3, or 4 Way Discharge Pattern



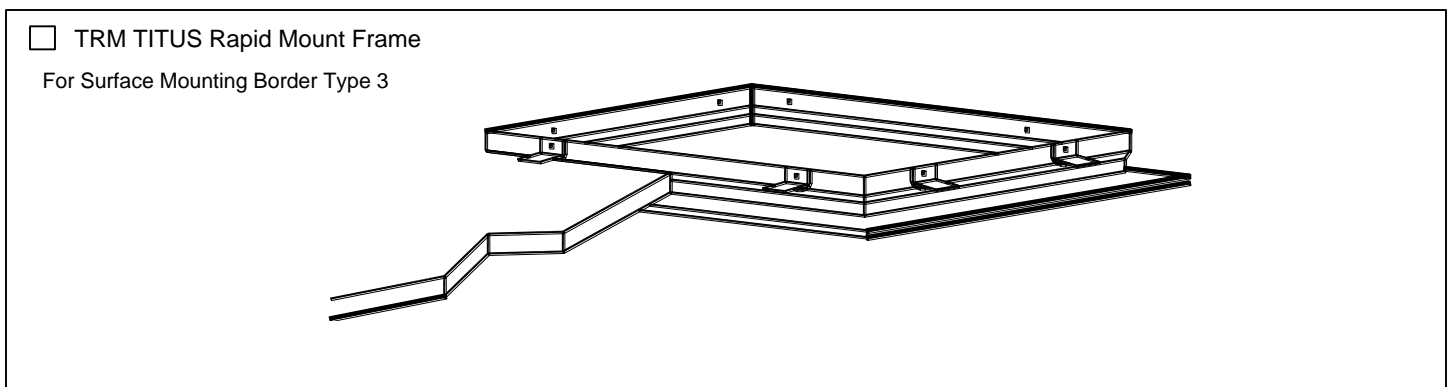
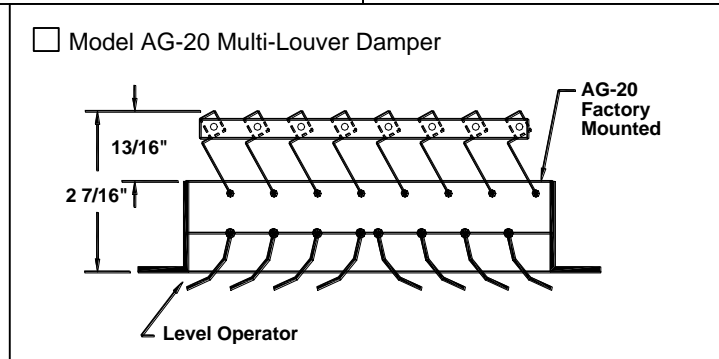
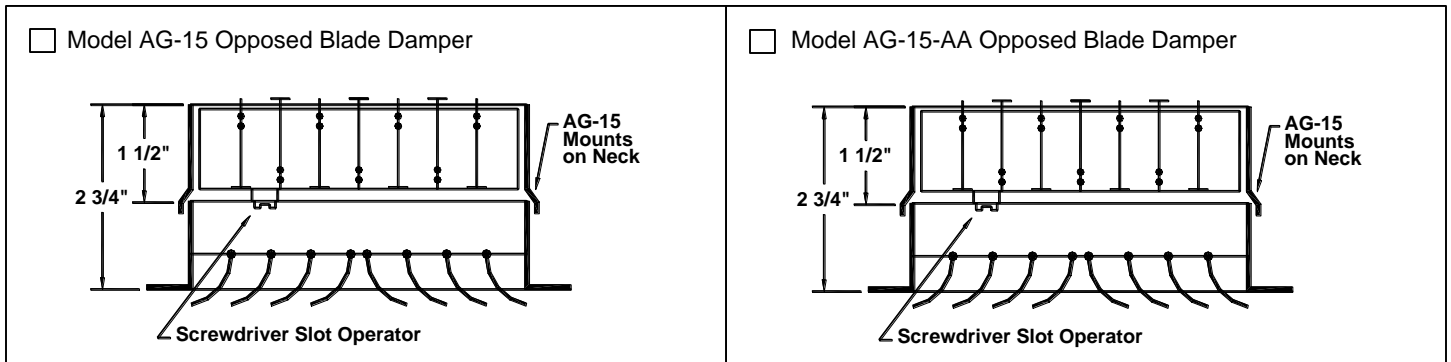
* Note: 4-Way discharge pattern S-4 is shown. For other available patterns, please see reverse side.

Optional Patterns Check if provided.



Note: For square diffuser (Height = Width), specify S-1, S-2, etc. Patterns are shown looking at the diffuser face.

Accessories (Optional) Check if provided.



Standard Finish: #26 White

General Description

- Model 250-AA is designed for installation in either the ceiling or the side wall.
- Available with 1-way, 2-way, 3-way or 4-way discharge pattern.
- For Frame Type 1, the 1-way discharge pattern is available in duct sizes 6 x 4 through 36 x 36 inches. the 2-way, 2-way corner, 3-way and 4-way patterns are available in duct sizes 6 x 6 through 36 x 36 inches.
- Louvers are individually adjustable from the face of the diffuser. Louvers regulate air volume as well as angle of discharge.
- Optional Model AG-15 opposed blade damper has a screwdriver adjustment accessible through the face of the diffuser. Mounts on the neck of the diffuser. Galvanized steel.
- Optional Model AG-15-AA opposed blade damper has a screwdriver adjustment accessible through the face of the diffuser. Mounts on the neck of the diffuser. Extruded aluminum.
- Optional Model AG-15 multi-louver damper has an adjustment lever at the face of the diffuser. Mounted on the diffuser at the factory. Steel, finished to match the diffuser.
- Diffuser material is aluminum with miscellaneous steel components.

This submittal is meant to demonstrate general dimensions of this product. The drawings are not meant to detail every aspect of the product. Drawings are not to scale. Titus reserves the right to make changes without written notice.